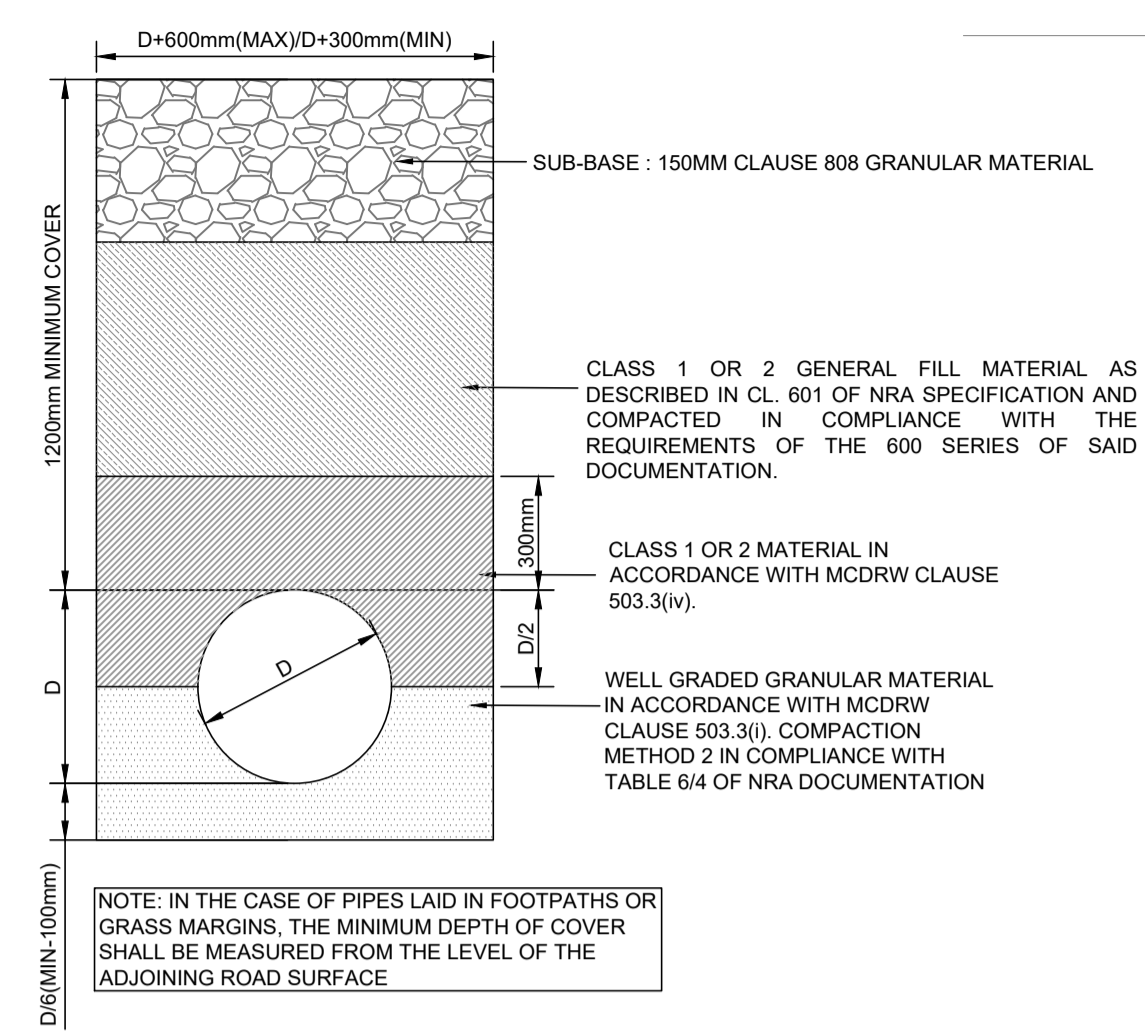
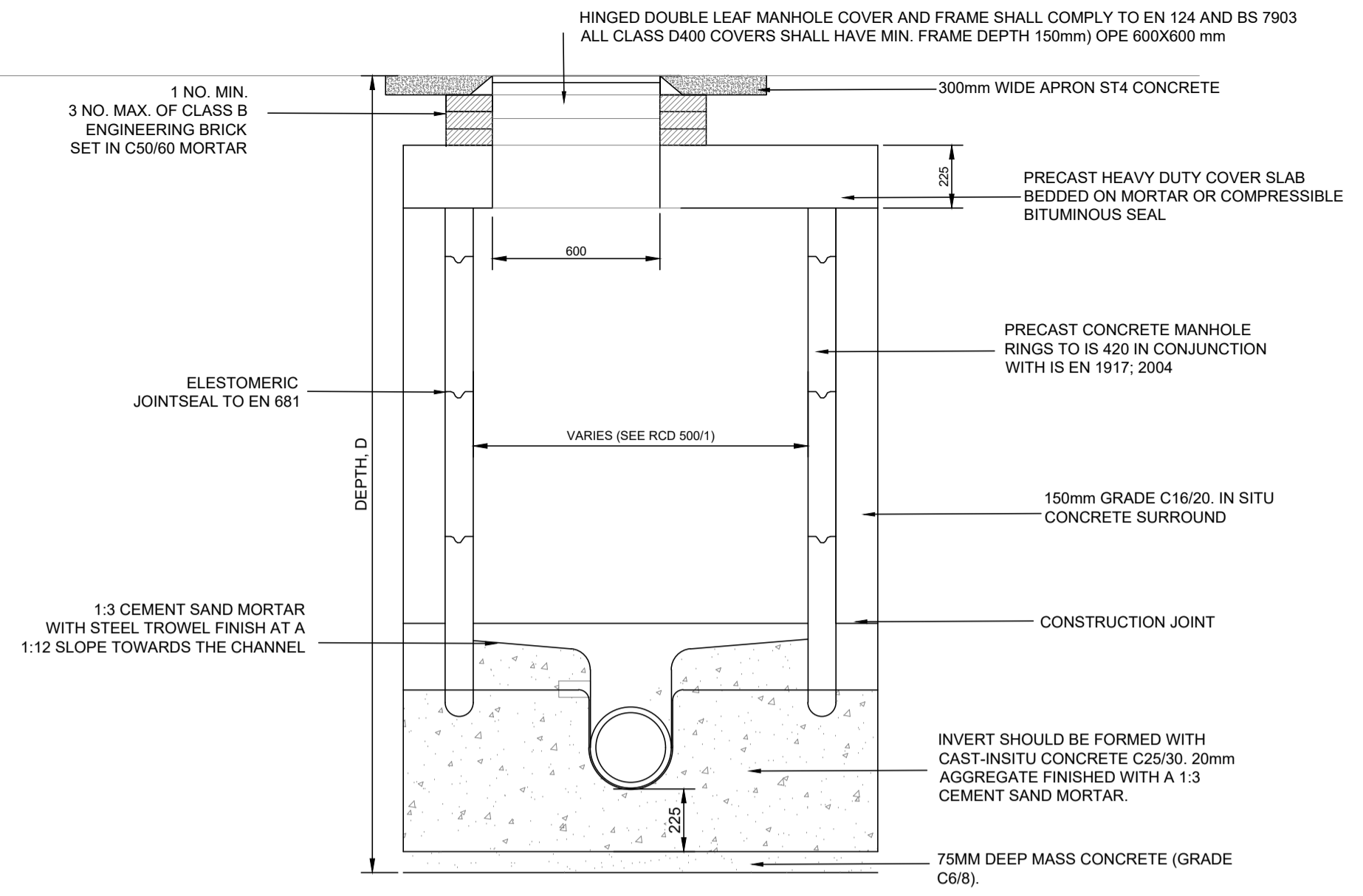


TYPICAL TRENCH DETAIL (GRASSED AREAS)
SCALE 1:20

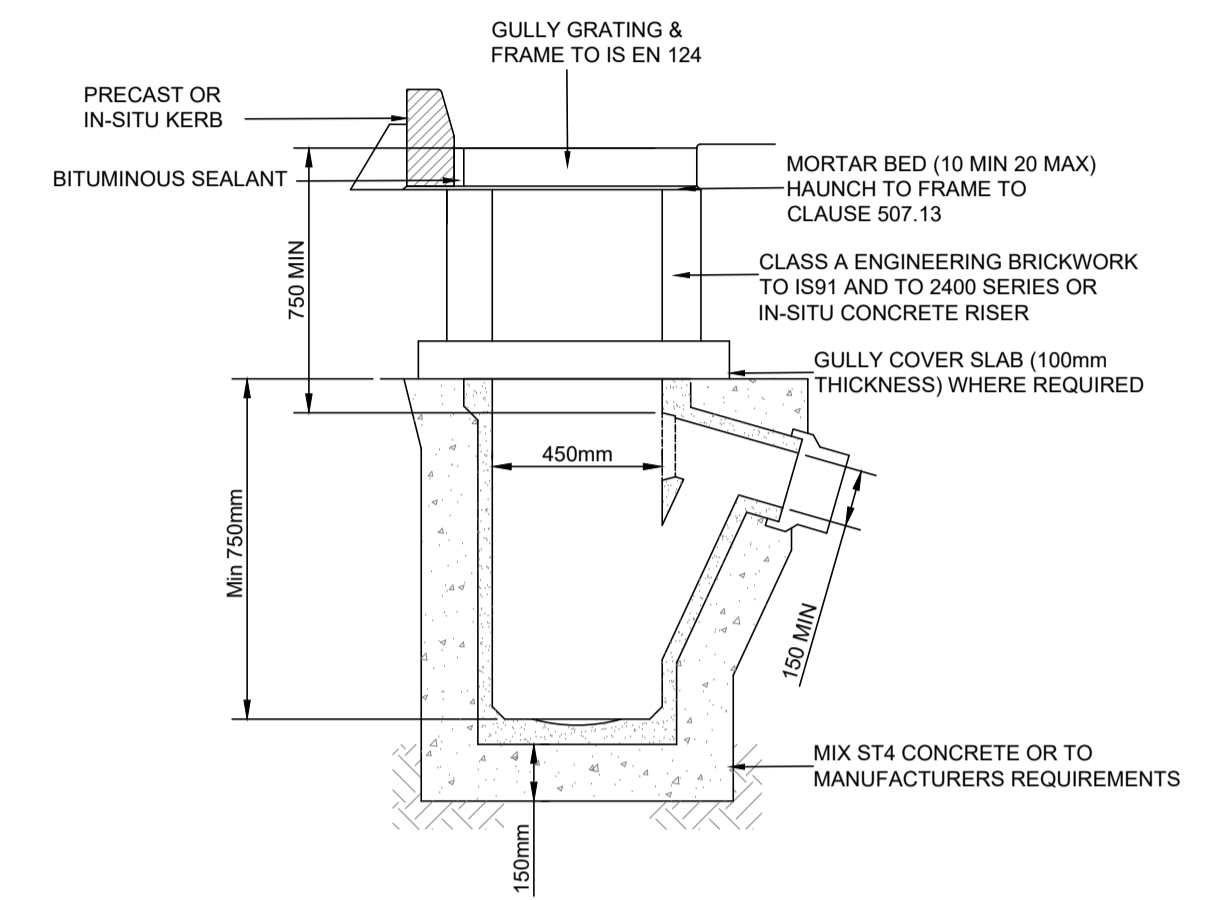


TYPICAL TRENCH DETAIL (ROAD AREAS)
SCALE 1:20

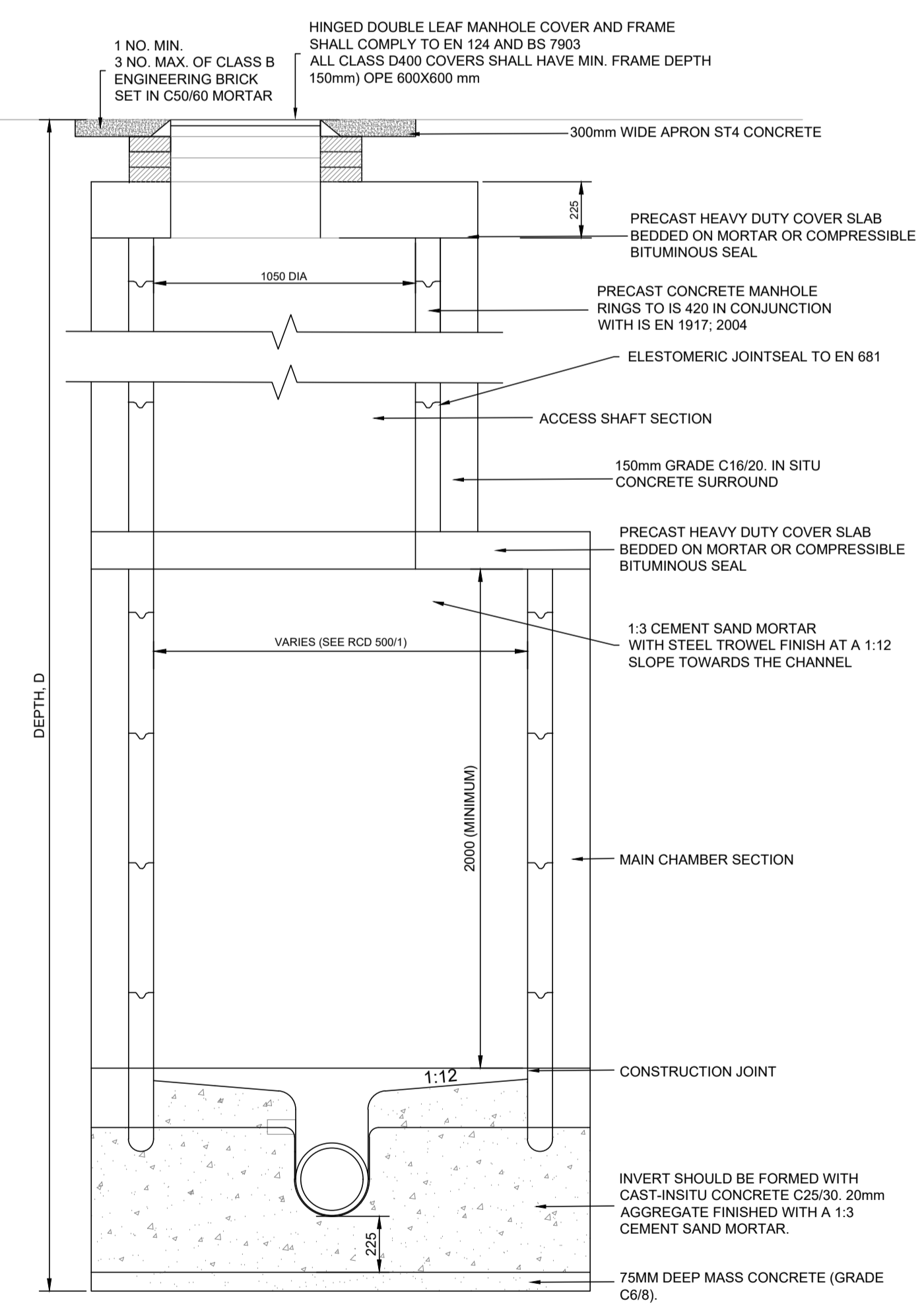


TYPICAL MANHOLE DETAIL (TYPE C)
SCALE 1:20

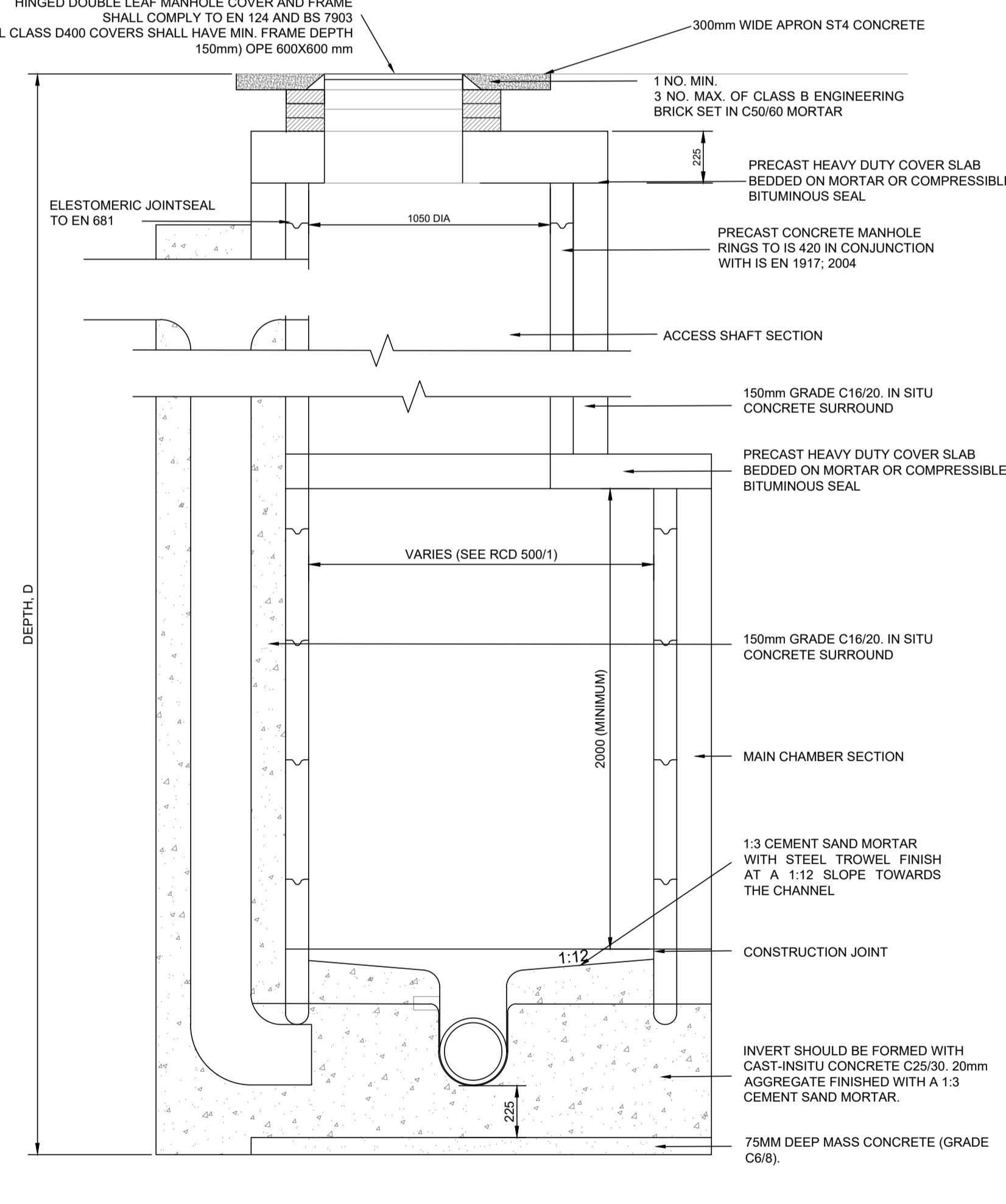
DEPTH (m)	CHAMBER TYPES								
	PIPE DIAMETER								
0-1m	A 975x1350	A 975x1350	A 975x1350	A 975x1350	B11350x1690	B11350x1690	B11350x1690	B11350x1690	B11350x1690
1-3m	C 1050	C 1050	C 1050	C 1050	C 1200	C 1200	C 1350	C 1350	C 1500
3-6m		D 1050	D 1050	D 1050	D 1200	D 1200	D 1350	D 1500	D 1500
6-12m		E 1500	E 1500	E 1500	E 1500	E 1500	E 1500	E 1500	E 1500



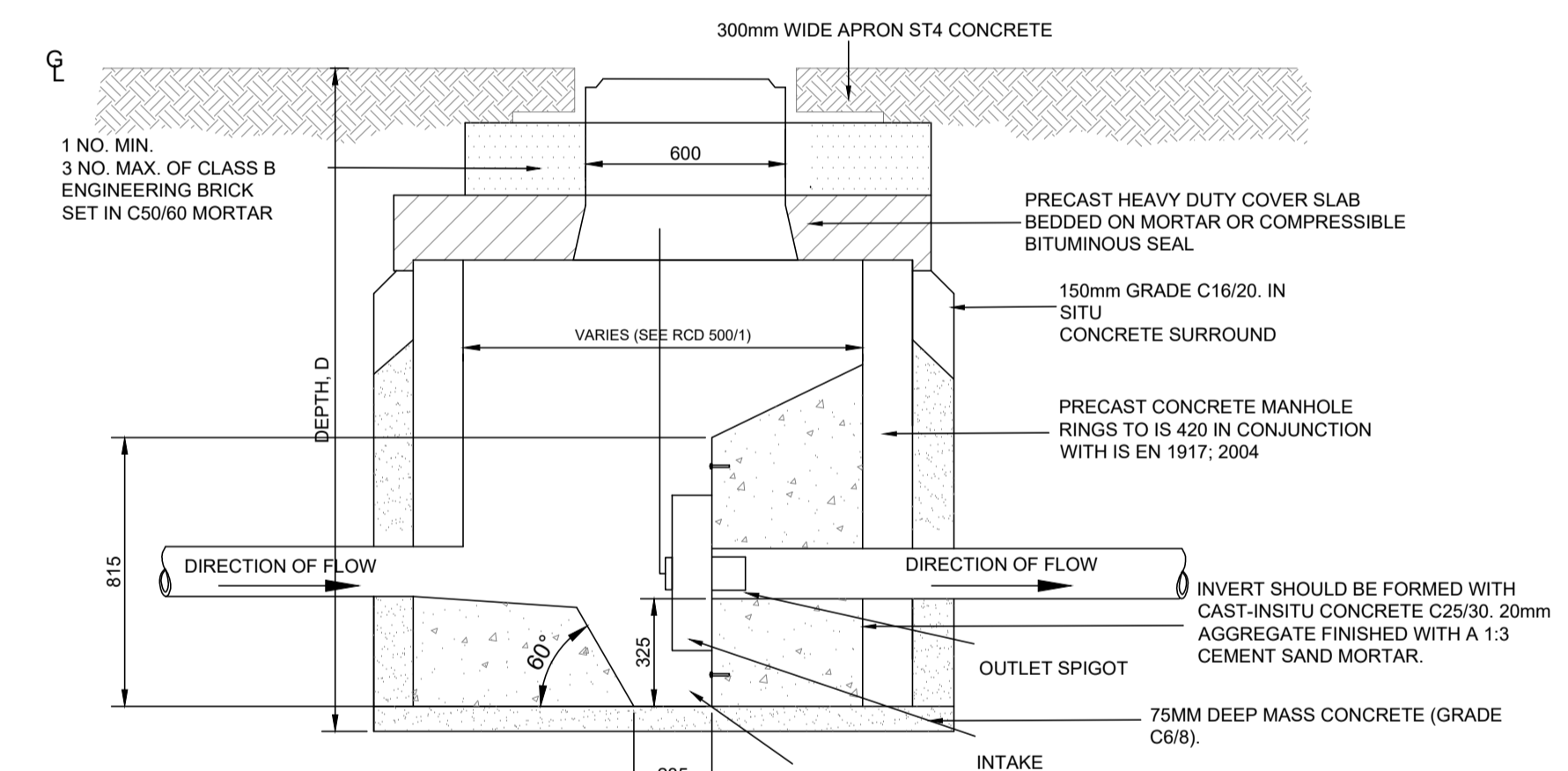
TYPICAL PRECAST ROAD GULLY
SCALE 1:20



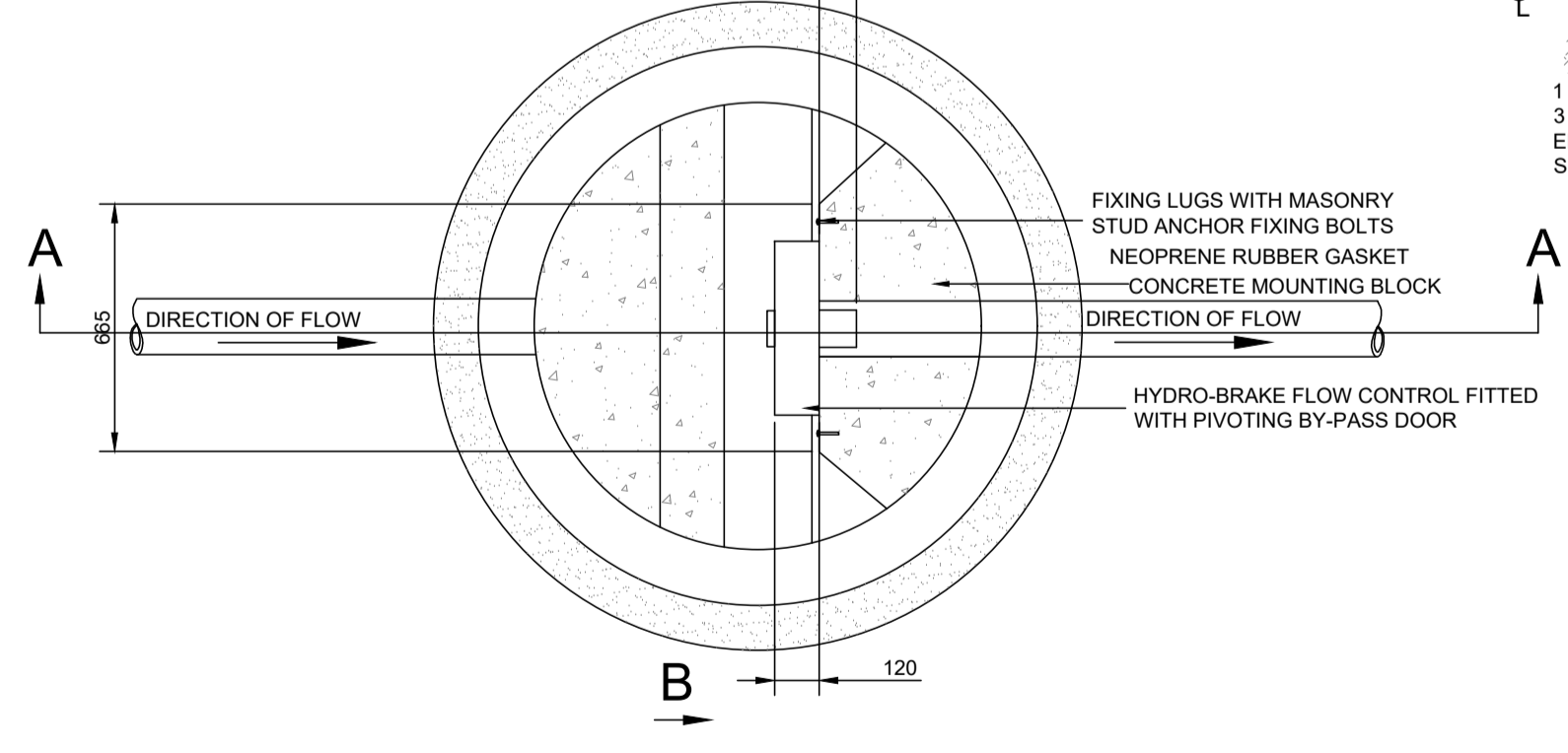
TYPICAL MANHOLE DETAIL (TYPE D)
SCALE 1:20



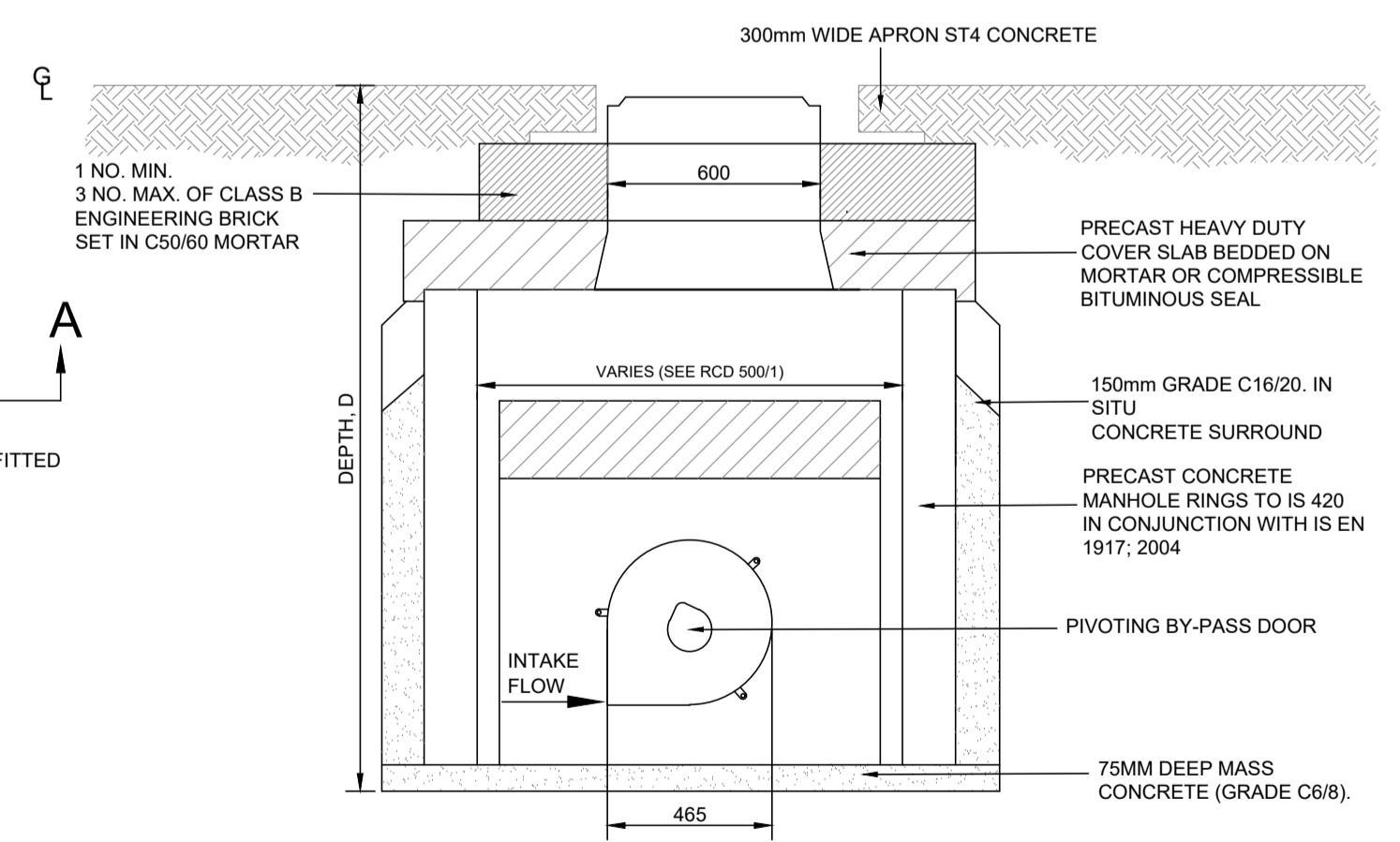
TYPICAL BACKDROP MANHOLE DETAIL
SCALE 1:20



SECTION A-A
SCALE 1:20



TYPICAL FLOW CONTROL MANHOLE
SCALE 1:20



SECTION B-B
SCALE 1:20

INFORMATION

© ORS
This drawing and any design hereon is the copyright of the Consultants and must not be reproduced without their written consent. All drawings remain the property of the Consultants.

Figured dimension only to be taken from this drawing. All dimensions to be checked on site. Consultants to be informed immediately of any discrepancies before work proceeds.

REV NO:	DATE:	REVISION NOTE:	DWN BY:	CKD BY:
P01	23/01/2024	ISSUED FOR PLANNING	PMC	MH

CLIENT:	WESTMEATH COUNTY COUNCIL			
PROJECT:	PROPOSED SERVICED SITES DEERPARK, CASTLEPOLLARD, CO. WESTMEATH			
TITLE:	TYPICAL SURFACE WATER MANHOLE DETAILS			
DRAWN:	PMC	CHECKED:	RD	APPROVED:
DATE:	OCT. 2023	SCALE:	1:20	REV:
JOB NO:	230894	DRAWING NO:	230894-ORS-Z1-XX-DR-CE-420	P01

