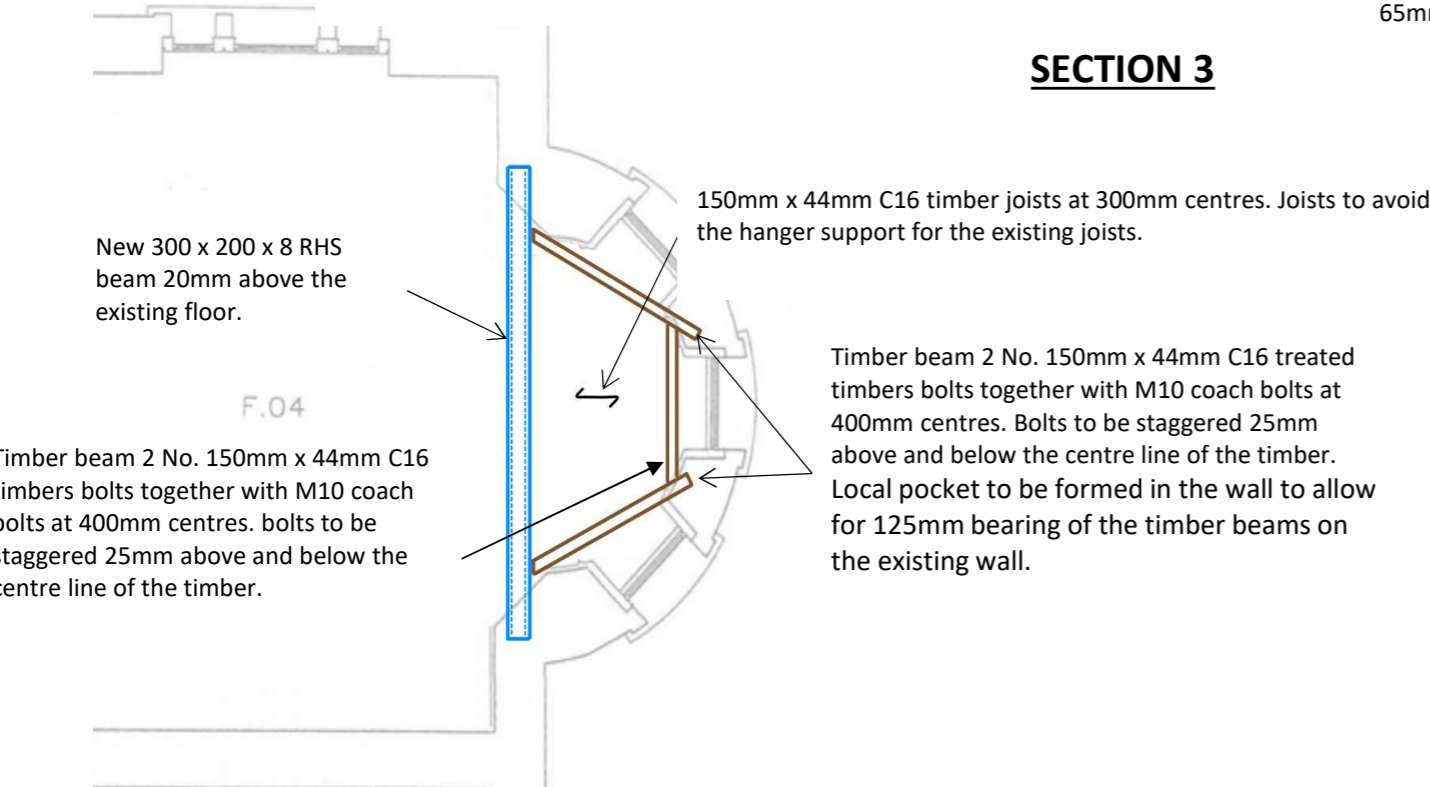
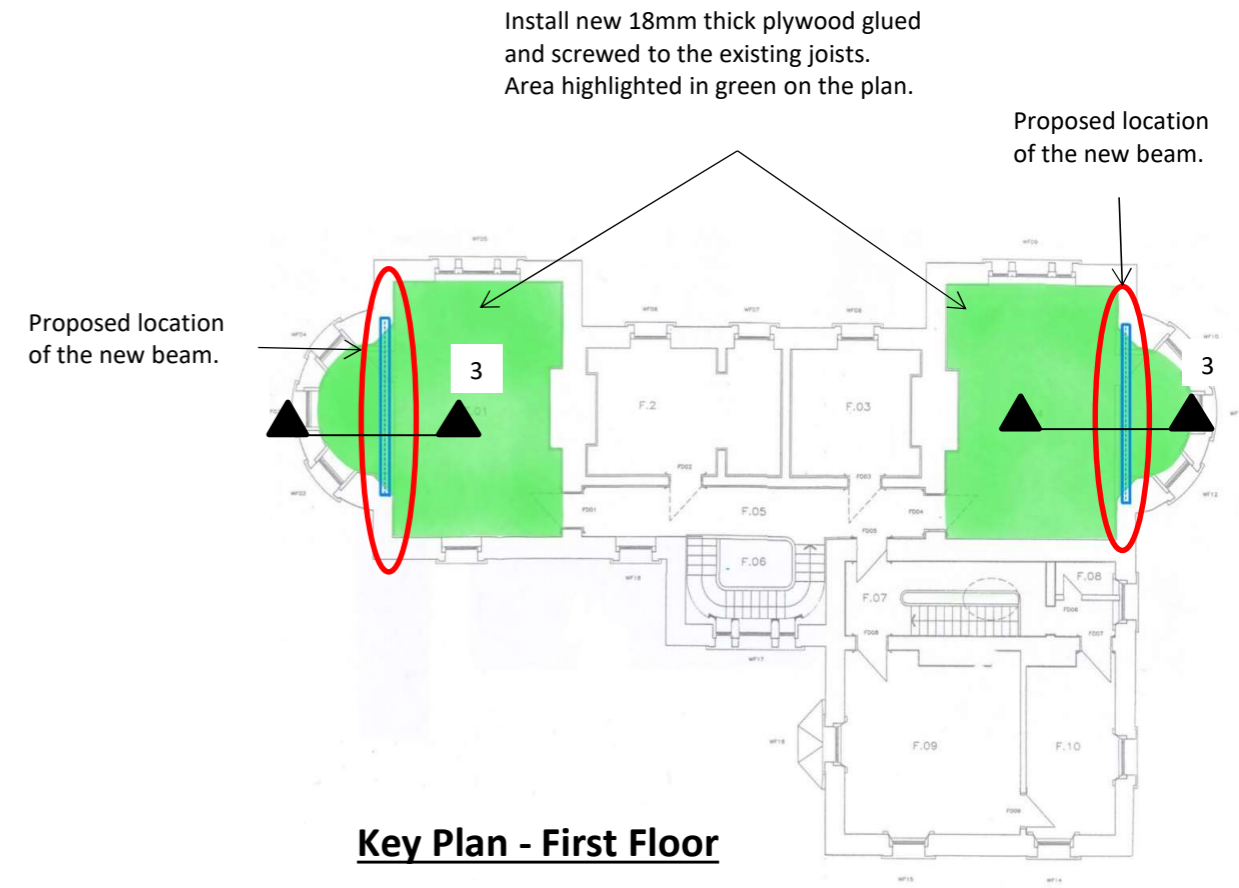



**SECTION 3**



**PART PLAN**



**Key Plan - First Floor**

Drawing Stage:					Drawn By:	Checked By:	Approved By:	Date:	 Behan House, 10 Lower Mount Street, Dublin 2. D02 HT71 Tel: +353 (0)1 661 1100 e-mail: info@cora.ie web: www.cora.ie							
<b>TENDER</b>					RK	LE	LE	21/06/2024								
Project Details:					Project Name: <b>Belvedere House Phase 2</b>			Scale: NTS								Project Number: 22647
Site Address:	Belvedere House				Drawing Title: <b>Proposed Strengthening Works to the 1st Floor - sheet 2</b>			Project:	Originator: CORA	Zone:	Level:	Type:	Discipline:	Drawing No.: SK11	Stage:	Revision: T1
Client:	T1	Issued For Tender	21/06/2024	RK												
Architect:	7L Architect's	REV. No.	REVISION DESCRIPTION	DATE	ISSUED BY											